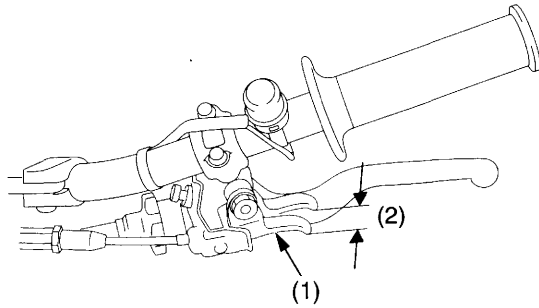


Hot Start Lever

Refer to *Safety Precautions* on page 19.

Hot Start Lever Freeplay



- (1) hot start lever
- (2) hot start lever freeplay

Inspection

Check freeplay:

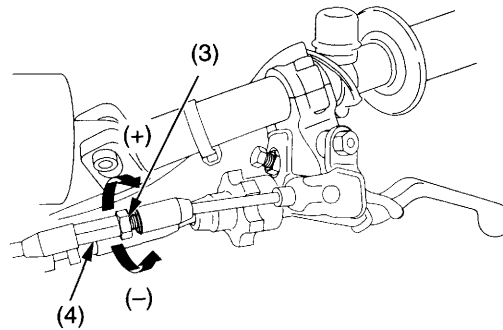
2 – 3 mm (0.08 – 0.12 in)

If necessary, adjust to the specified range.

Adjustment

Adjustments can be made with the cable adjuster.

Loosen the lock nut (3) and turn the adjuster (4). Turning the adjuster clockwise (+) will increase freeplay and turning it counterclockwise (-) will decrease freeplay. After adjustment, tighten the lock nut.



- (3) lock nut
- (4) adjuster

- (+) increase
- (-) decrease