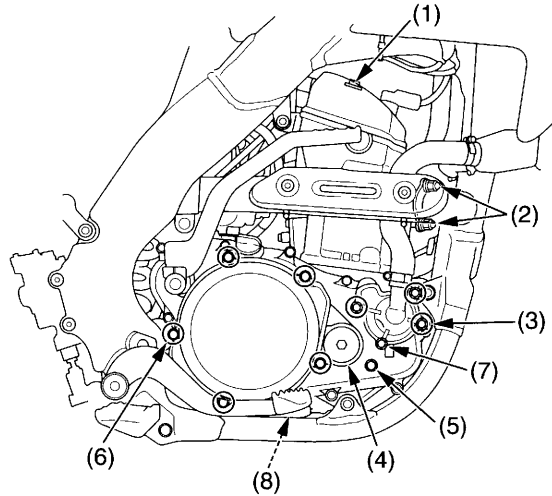


Nuts, Bolts, Fasteners

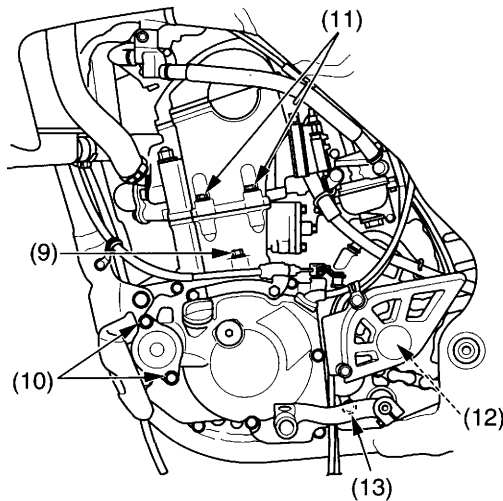
Check and tighten nuts, bolts, and fasteners before every outing.

Engine

RIGHT SIDE



LEFT SIDE



	Item	Torque			Remarks
		N•m	kgf•m	lbf•ft	
	ENGINE				
1	Cylinder head cover bolts	10	1.0	7	
2	Exhaust pipe joint nuts	21	2.1	15	
3	Water pump cover bolts	10	1.0	7	
4	Crankshaft hole cap	15	1.5	11	NOTE 1
5	Transmission oil check bolt	12	1.2	9	
6	Clutch cover bolts	10	1.0	7	
7	Coolant drain bolt	10	1.0	7	
8	Engine oil drain bolt	16	1.6	12	
9	Cylinder bolt	10	1.0	7	
10	Oil filter cover bolts	12	1.2	9	
11	Cylinder head bolts	10	1.0	7	
12	Drive sprocket bolt	31	3.2	23	
13	Transmission oil drain bolt	16	1.6	12	NOTE 2

NOTES: 1. Apply grease to the threads.
2. Apply oil to the threads.