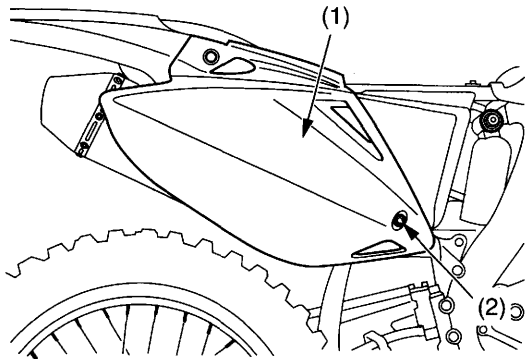


Subframe

Refer to *Safety Precautions* on page 19.

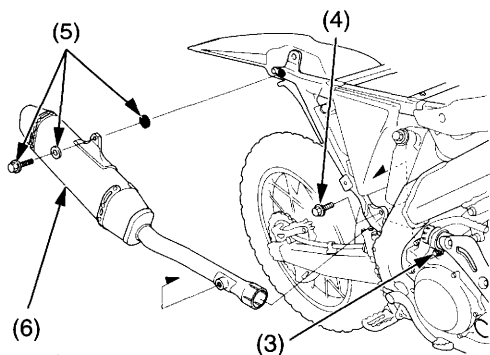
Removal

1. Remove the seat (page 29).
2. Remove the side covers (1) by removing the bolts (2).



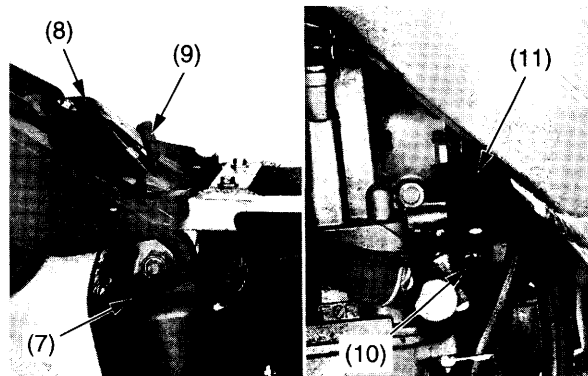
- (1) side cover
(2) bolt

3. Loosen the muffler clamp bolt (3).
4. Remove the muffler mounting A bolt (4), muffler mounting B bolt/washers (5) and muffler (6).



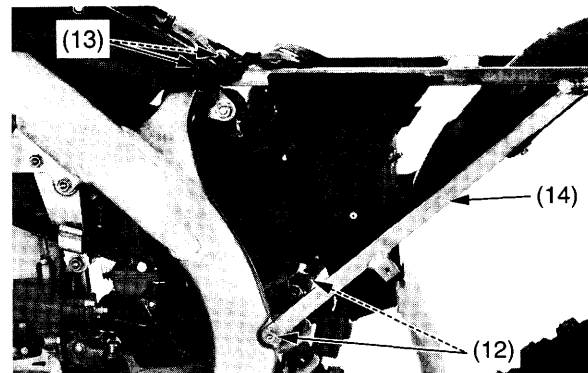
- (3) muffler clamp bolt
(4) muffler mounting A bolt
(5) muffler mounting B bolt/washers
(6) muffler

5. Disconnect the crankcase breather tube (7).
6. Unhook the air cleaner case cover (8).
7. Unhook the fuel tank band (9), and remove it.
8. Loosen the screw (10) on the air cleaner connecting tube clamp (11).



- (7) crankcase breather tube
(8) air cleaner case cover
(9) fuel tank band
(10) screw
(11) air cleaner connecting tube clamp

9. Remove the subframe mounting lower bolts (12) and subframe mounting upper bolts (13). Then remove the subframe (14) by pulling it straight backward.

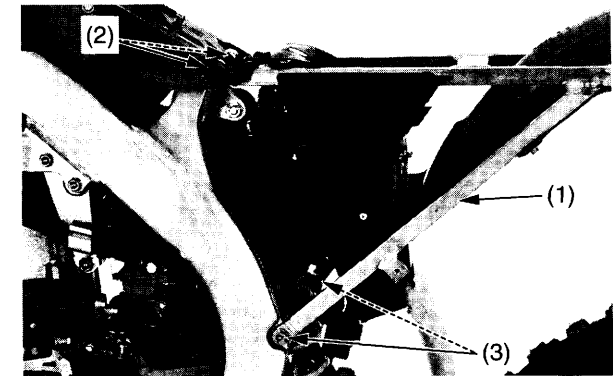


- (12) subframe mounting lower bolts
(13) subframe mounting upper bolts
(14) subframe

Installation

1. Loosely attach the upper and lower ends of the subframe (1) to the mainframe while connecting the air cleaner connecting tube to the carburetor. Then align the subframe with the rear wheel and tighten the subframe mounting upper bolts (2) and subframe mounting lower bolts (3) to the specified torque:

upper bolts: 30 N·m (3.1 kgf·m, 22 lbf·ft)
lower bolts: 49 N·m (5.0 kgf·m, 36 lbf·ft)



- (1) subframe
(2) subframe mounting upper bolts
(3) subframe mounting lower bolts