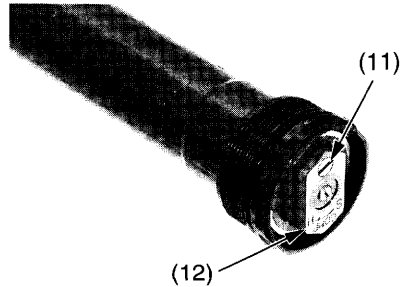


Front Suspension Adjustments

16. If you cannot use compressed air, remove the fork air pressure release screw (11) on the fork cap (12).
Hold the fork damper up side down for 10 minutes and drain the oil from the fork damper spring chamber.



(11) fork air pressure release screw (12) fork cap

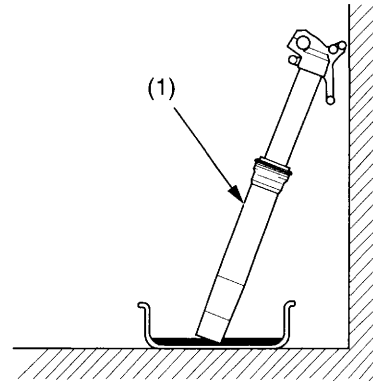
Pour the drained oil into a suitable container and dispose of it in an approved manner (page 142).

NOTICE

Improper disposal of drained fluids is harmful to the environment.

Fork Assembly

1. Drain the fork oil from the fork assembly (1) by placing it upside down.
(About 7cm³ (0.2 US oz, 0.2 Imp oz) of fork oil will be left in the outer tube/slider when it is left inverted for about 20 minutes at 20°C (68°F))



(1) fork assembly

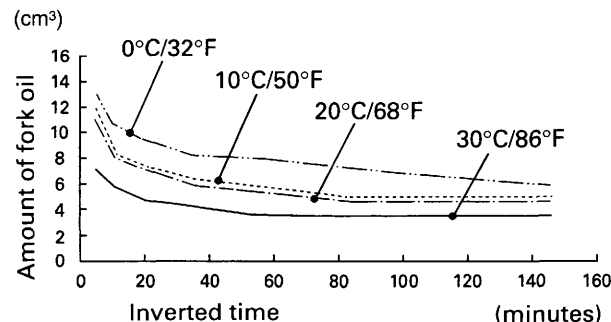
To properly dispose of drained fluids, refer to *You & the Environment* (page 142).

NOTICE

Improper disposal of drained fluids is harmful to the environment.

Amount of fork oil left in the fork (without damper and spring) unit: cm³

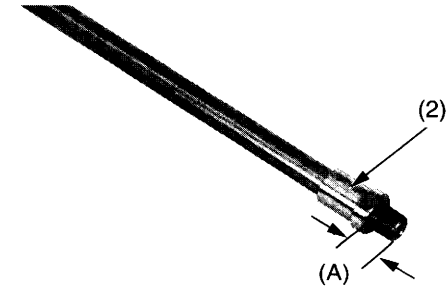
minute °C/°F	5	10	20	35	55	85	145
30/86	7.1	5.9	4.7	4.2	3.5	3.5	3.5
20/68	10.6	8.2	7.1	5.9	5.6	4.7	4.7
10/50	11.8	8.3	7.2	6.2	5.8	4.9	4.8
0/32	12.9	10.6	9.4	8.2	7.9	7.1	5.9



2. Tighten the fork centre bolt lock nut (2) fully and measure the thread length (A) as shown.

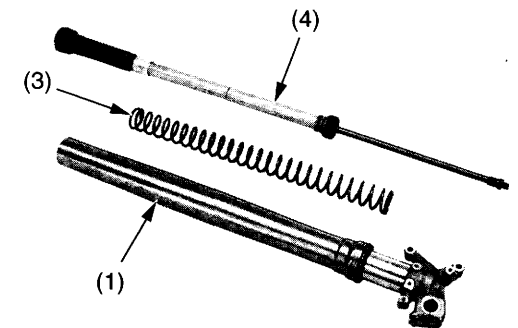
Standard: 11 – 13 mm (0.43 – 0.51 in)

Wipe the oil completely off the fork damper.



(2) fork centre bolt lock nut (A) thread length

3. Blow out the oil completely off the fork spring (3) using the compressed air. Install the fork spring.
Install the fork damper assembly (4) to the fork assembly (1).



(1) fork assembly
(3) fork spring

(4) fork damper assembly

(cont'd)