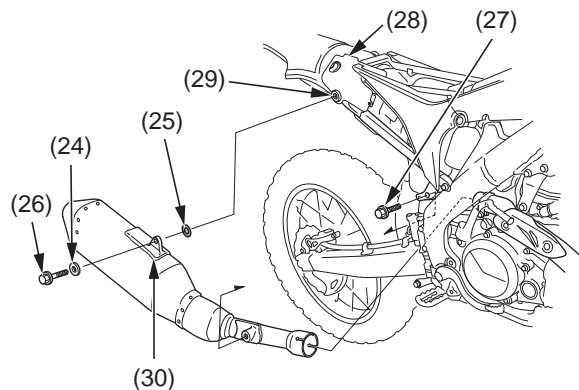
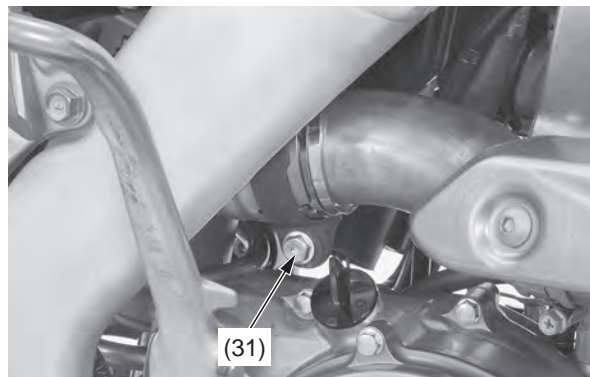


15. Install the washer A (24), washer B (25), muffler mounting B bolt (26) and muffler mounting A bolt (27).
Be careful not to get the air cleaner case rubber (28) caught between the subframe (29) and muffler stay (30) while installing the muffler. Check for cuts, slits, or cracks in the rubber. Replace the rubber, if necessary.



- (24) washer A
- (25) washer B
- (26) muffler mounting B bolt
- (27) muffler mounting A bolt
- (28) air cleaner case rubber
- (29) subframe
- (30) muffler stay

16. Tighten the muffler clamp bolt (31) to the specified torque:
21 N·m (2.1 kgf·m, 15 lbf·ft)



(31) muffler clamp bolt

17. Tighten the muffler mounting B bolt (26) and muffler mounting A bolt (27) to the specified torque:
26 N·m (2.7 kgf·m, 19 lbf·ft)
18. Install the seat (32).

19. Install the side covers (33), seat mounting bolts (34) and bolts (35).

Be careful not to get the air cleaner case rubber (28) caught between the subframe (29), seat stay (36) and right side cover while installing the seat and right side cover.

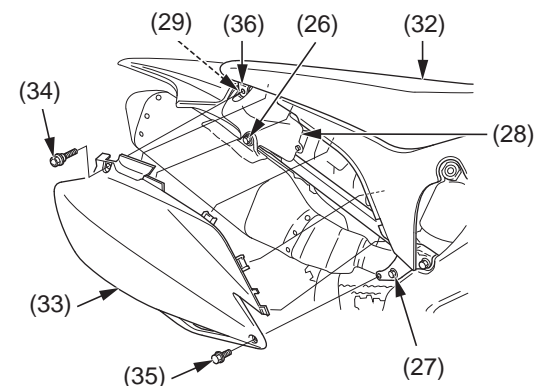
Then tighten the seat mounting bolts and side cover bolts to the specified torque:

seat mounting bolts:

26 N·m (2.7 kgf·m, 19 lbf·ft)

side cover bolts:

10 N·m (1.0 kgf·m, 7 lbf·ft)



- (26) muffler mounting B bolt
- (27) muffler mounting A bolt
- (28) air cleaner case rubber
- (29) subframe
- (32) seat
- (33) side covers
- (34) seat mounting bolts
- (35) bolts
- (36) seat stay