

# Fuel System

8. Hold the connector with one hand and squeeze the retainer tabs (9) with the other hand to remove them from the locking pawls (10). Pull the connector off, then remove the retainer.

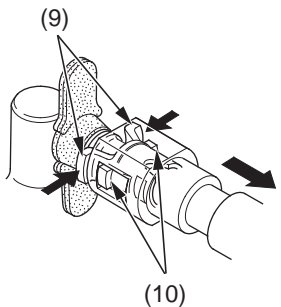
- Use a shop towel to absorb the remaining fuel in the fuel feed hose.
- Be careful not to damage the hose or other parts.
- Do not use tools.
- If the connector does not move, keep the retainer tabs pressed down, and alternately pull and push the connector until it comes off easily.

## ⚠ WARNING

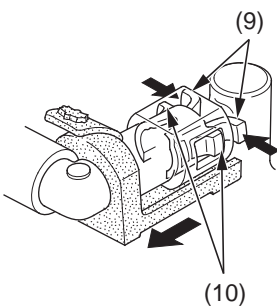
Petrol is highly flammable and explosive. You can be burned or seriously injured when handling fuel.

- Stop the engine and keep heat, sparks and flame away.
- Handle fuel only outdoors.
- Wipe up spills immediately.

Injector side:

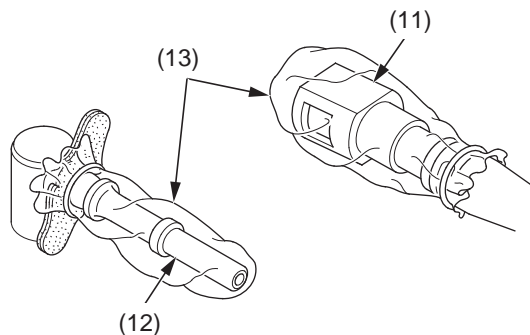


Fuel Pump side:



(9) retainer tabs  
(10) locking pawls

9. To prevent damage and keep foreign matter out, cover the disconnected connectors (11) and fuel joints (12) with plastic bags (13).

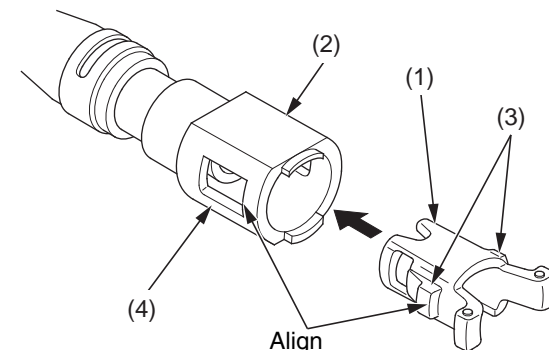


(11) disconnected connector  
(12) fuel joint  
(13) plastic bags

## Connection

1. Insert a new retainer (1) into the connector (2) by aligning its locking pawls (3) with the connector grooves (4).

- Always replace the retainer of the quick connect fitting when the fuel feed hose is disconnected.
- If the joint rubber is damaged or cut, replace it with a new one.
- Do not bend or twist the fuel feed hose.
- If any retainer needs replacing, use the same manufacturer's retainer as the ones being removed (The various manufacturer's feature different retainer specification).



(1) retainer (new)  
(2) connector

(3) locking pawls  
(4) connector grooves