

Fuel System

Fuel Pump Filter Replacement

Empty the fuel tank into an approved petrol container using a commercially available hand siphon or an equivalent method.

Be careful not to damage the fuel pump while draining the fuel in the fuel tank.

⚠ WARNING

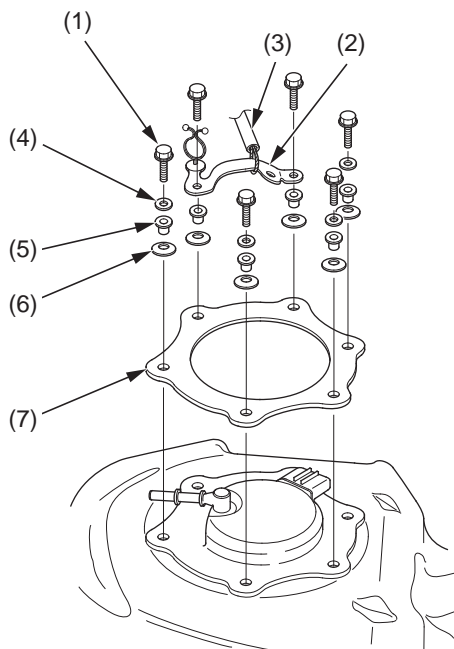
Petrol is highly flammable and explosive. You can be burned or seriously injured when handling fuel.

- Stop the engine and keep heat, sparks and flame away.
- Handle fuel only outdoors.
- Wipe up spills immediately.

Removal

1. Relieve the fuel pressure (page 45).
2. Disconnect the fuel line (page 45).
3. Remove the fuel pump mounting bolts (1), stopper cable guide (2), stopper cable (3), washers (4), collars (5), conical spring washers (6) and fuel pump plate (7) while holding the fuel tank.
4. Remove the fuel tank.

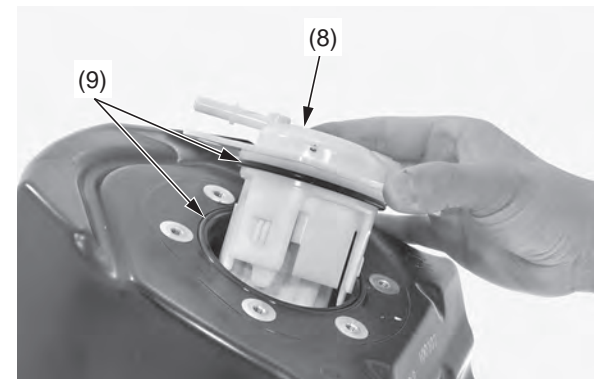
Be careful not to drop the fuel tank when remove the stopper cable.



- (1) fuel pump mounting bolts
- (2) stopper cable guide
- (3) stopper cable
- (4) washers
- (5) collars
- (6) conical spring washers
- (7) fuel pump plate

5. Remove the fuel pump unit (8) and O-rings (9).

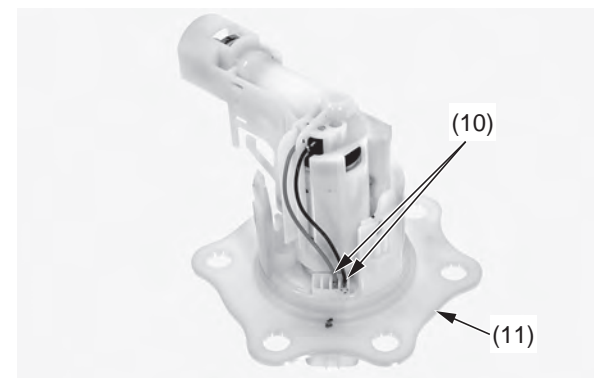
Be careful not to damage the fuel pump unit.



- (8) fuel pump unit (9) O-rings

6. Disconnect the fuel pump wire terminals (10) from the fuel pump base (11).

Be careful not to damage the wires when disconnect the fuel pump wire terminals.



- (10) fuel pump wire terminals
(11) fuel pump base