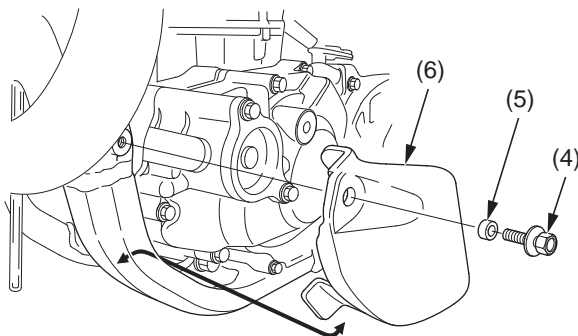
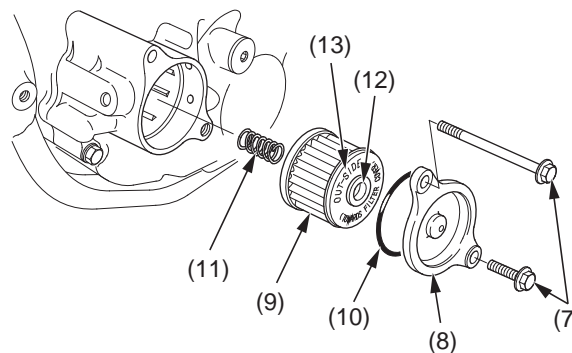


7. It is recommended to replace the oil and filter every 6 races or about every 15.0 hours. However, if you replace only the oil before the recommended interval, see page 29.
8. Remove the left engine guard bolt/washer (4), collar (5) and left engine guard (6).



- (4) left engine guard bolt/washer  
 (5) collar  
 (6) left engine guard

9. Remove the oil filter cover bolts (7) and oil filter cover (8).
10. Remove the oil filter (9) and O-ring (10) from the oil filter cover.



- (7) oil filter cover bolts  
 (8) oil filter cover  
 (9) oil filter  
 (10) O-ring  
 (11) spring  
 (12) rubber seal  
 (13) "OUT-SIDE" mark

## NOTICE

*Using the wrong oil filter may result in leaks or engine damage.*

11. Apply grease to the filter side of the spring end, then install the spring (11) into the new oil filter.
12. Position the spring against the engine crankcase and install a new oil filter with the rubber seal (12) facing out, away from the engine. You should see the "OUT-SIDE" mark (13) on the filter body, near the seal. Use a new Honda Genuine oil filter or a filter of equal quality specified for your model.

## NOTICE

*If the oil filter is not installed properly, it will cause serious engine damage.*

13. Apply engine oil to the O-ring and install it to the oil filter cover.
14. Install the oil filter cover being careful not to damage the O-ring, then tighten the oil filter cover bolts to the specified torque:  
 10 N·m (1.0 kgf·m, 7 lbf·ft)
15. Install the left engine guard and collar, then tighten the left engine guard bolt to the specified torque:  
 10 N·m (1.0 kgf·m, 7 lbf·ft)
16. Fill the crankcase with the recommended oil.  
 Capacity: 0.62 ℓ (0.66 US qt, 0.55 Imp qt)  
 after draining and filter change  
 0.58 ℓ (0.61 US qt, 0.51 Imp qt)  
 after draining
17. Install the engine oil fill cap/dipstick.
18. Check the engine oil level by following the steps in *Checking & Adding Oil* (page 54).

Pour the drained oil into a suitable container and dispose of it in an approved manner (page 148).

## NOTICE

*Improper disposal of drained fluids is harmful to the environment.*