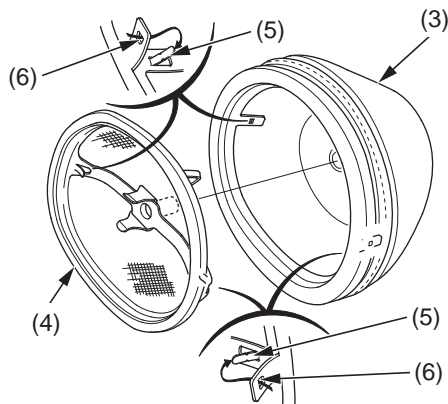
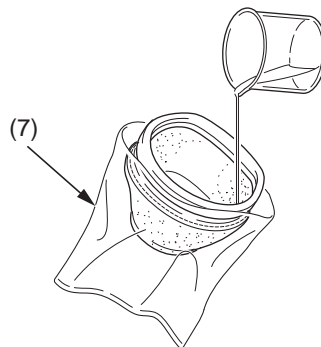


- Remove the air cleaner element (3) from the air cleaner holder (4) by releasing the holder tabs (5) from the holes (6) of the air cleaner element.



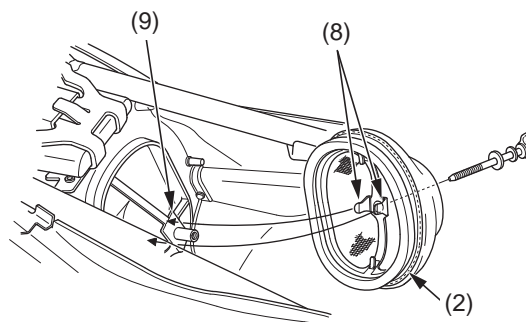
(3) air cleaner element
(4) air cleaner holder
(5) holder tabs
(6) holes

- Wash the air cleaner in clean non-flammable cleaning solvent. Then wash in hot, soapy water, rinse well, and allow to dry thoroughly. The air cleaner element is made in two pieces: inner and outer, which cannot be separated.
- Clean the inside of the air cleaner housing.
- Allow the air cleaner to dry thoroughly. After drying, apply 50 cm³ of clean Honda Foam Air Filter Oil or an equivalent air cleaner oil from the inside of the element. Place the element into a plastic bag (7) and spread the oil evenly by hand.



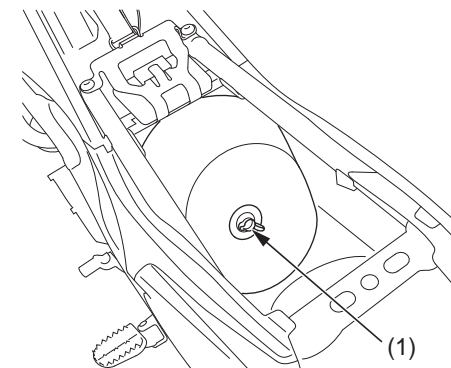
(7) plastic bag

- Assemble the air cleaner element and holder. Install the holder tabs (5) in the holes (6) of the air cleaner element.
- Apply 3 – 5 g (0.1 – 0.2 oz) of Honda White Lithium Grease or equivalent to the air cleaner housing contact area of the air cleaner element.
- Install the air cleaner assembly (2) into the air cleaner housing by aligning its tabs (8) with the stay (9) of the air cleaner housing.
- Carefully position the sealing flange of the element to prevent dirt intrusion.



(2) air cleaner assembly
(8) air cleaner assembly tabs
(9) air cleaner housing stay

- Install and tighten the air cleaner retaining bolt (1) securely.



(1) air cleaner retaining bolt

NOTICE

Improper installation of the air cleaner assembly may allow dirt and dust to enter the engine and cause rapid wear of the piston rings and cylinder.

- Install the seat (page 37).