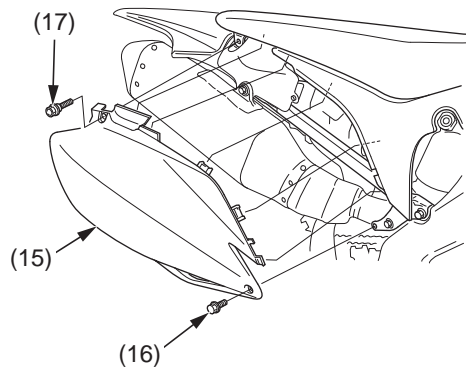


8. Install the right side cover (15) and bolt (16).
9. Install the seat mounting bolt (17) and tighten it to the specified torque:
26 N·m (2.7 kgf·m, 19 lbf·ft)
Tighten the bolt (16) to the specified torque:
10 N·m (1.0 kgf·m, 7 lbf·ft)

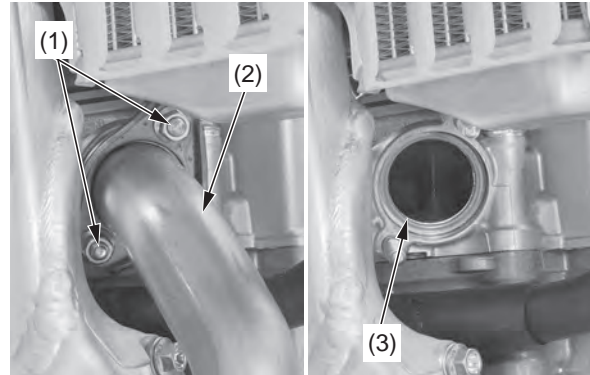


(15) right side cover
(16) bolt

(17) seat mounting bolt

Exhaust Pipe Removal

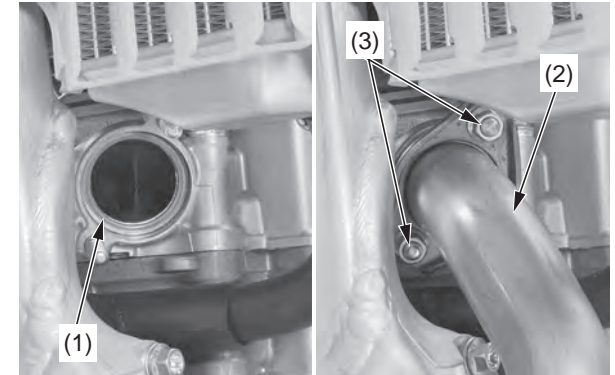
1. Remove the muffler (page 105).
2. Remove the exhaust pipe joint nuts (1), exhaust pipe (2) and gasket (3).



(1) exhaust pipe joint nuts
(2) exhaust pipe
(3) gasket

Exhaust Pipe Installation

1. Install a new exhaust pipe gasket (1) as shown.
2. Install the exhaust pipe (2) and exhaust pipe joint nuts (3).



(1) exhaust pipe gasket (new)
(2) exhaust pipe
(3) exhaust pipe joint nuts

3. Install the muffler (page 106) but do not tighten the bolts yet.
4. Tighten the exhaust pipe joint nuts to the specified torque:
21 N·m (2.1 kgf·m, 15 lbf·ft)
5. Tighten the muffler clamp bolt, muffler mounting A bolt and B bolt (page 106).
6. Installation can be done in the reverse order of removal.