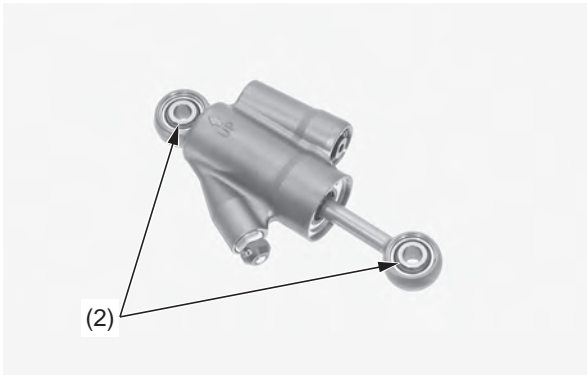


Steering Damper

2. Check the condition of the spherical bearings (2).
Move the spherical bearing with your finger. The spherical bearing should move smoothly and quietly.

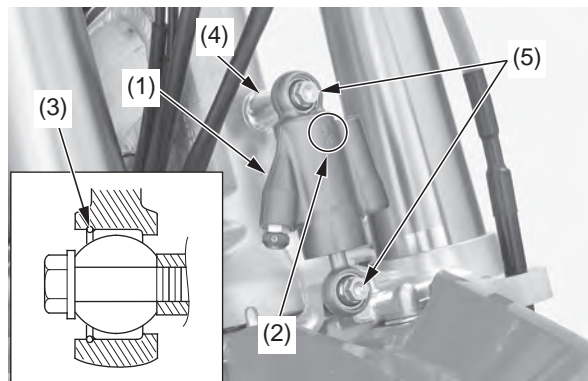
Replace the spherical bearing if it does not move smoothly and quietly.
Refer to an official Honda Shop Manual or see your Honda dealer.



(2) spherical bearings

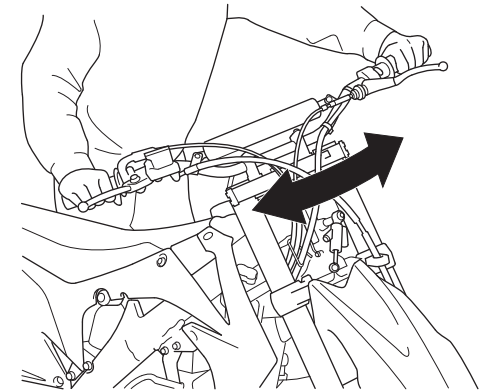
Installation

1. Clean and apply a locking agent to the steering damper mounting bolt threads.
2. Install the steering damper (1) with its “UP” mark (2) facing up and forward. Turn the damper rod and its stopper ring (3) facing toward the front side.
3. Install the collar (4) and steering damper mounting bolts (5).
Be sure to install the collar with its wide flange side facing toward the steering head pipe side.
4. Tighten the steering damper mounting bolts to the specified torque:
20 N·m (2.0 kgf·m, 15 lbf·ft)



- (1) steering damper
- (2) “UP” mark
- (3) stopper ring
- (4) collar
- (5) steering damper mounting bolts

5. With your CRF on a box or an optional workstand (front wheel elevated), check that the steering moves smoothly from side to side.



6. Install the number plate (page 109).