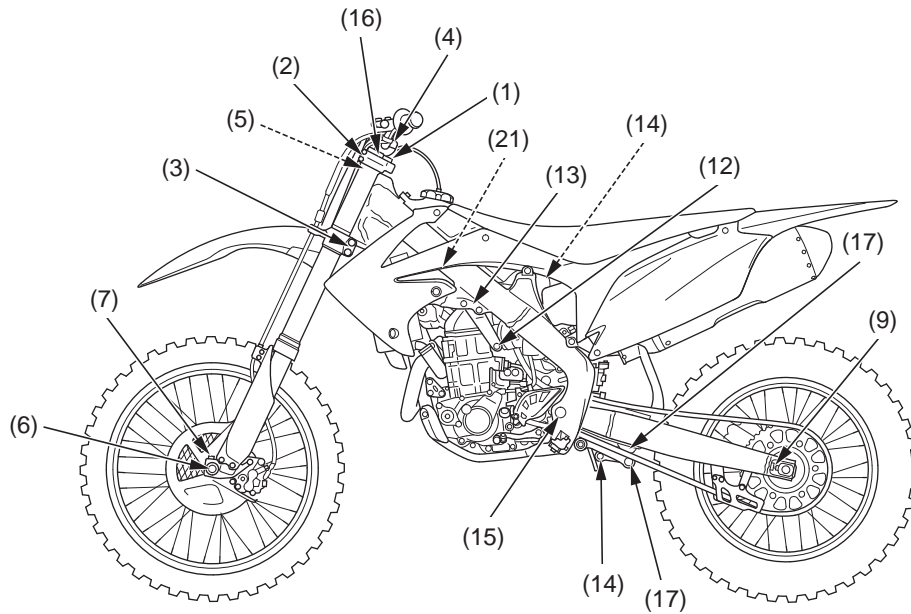
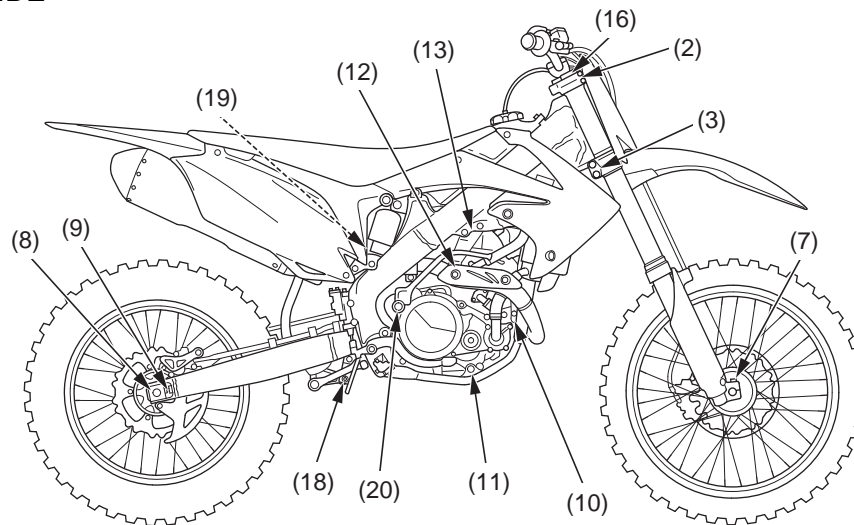


LEFT SIDE



RIGHT SIDE



FRAME

	Item	Torque			Remarks
		N•m	kgf•m	lbf•ft	
1	Steering stem nut	108	11.0	80	
2	Fork bridge upper pinch bolts	22	2.2	16	
3	Fork bridge lower pinch bolts	20	2.0	15	
4	Handlebar upper holder bolts	22	2.2	16	
5	Handlebar lower holder nuts	44	4.5	32	
6	Front axle nut	88	9.0	65	
7	Axle pinch bolts	20	2.0	15	
8	Rear axle nut	128	13.1	94	NOTE 1
9	Chain adjuster lock nuts	27	2.8	20	NOTE 2
10	Front engine hanger nuts	54	5.5	40	
	Front engine hanger plate nuts	26	2.7	19	
11	Lower engine hanger nut	54	5.5	40	
12	Cylinder head hanger bolts	54	5.5	40	
13	Cylinder head hanger plate bolts	33	3.4	24	
14	Rear suspension (upper)	44	4.5	32	NOTE 1
	(lower)	44	4.5	32	NOTE 1
15	Swingarm pivot nut	88	9.0	65	NOTE 1
16	Fork (fork cap assembly)	28	2.9	21	
	(fork damper)	30	3.1	22	
17	Rear shock arm nuts (swingarm side: nut width 17 mm)	53	5.4	39	NOTE 1, 6
	(shock link side: nut width 19 mm)	53	5.4	39	NOTE 1, 6
18	Rear shock link nut	53	5.4	39	NOTE 1, 6
19	Rear shock spring lock nut	28	2.9	21	
20	Kickstarter arm bolt	38	3.9	28	NOTE 5
21	Fuel pump mounting bolts	11	1.1	8	

NOTES: 1. U-nut

2. UBS nut

5. Lock bolt: replace with a new one.

6. Apply molybdenum oil to the threads and flange surface.