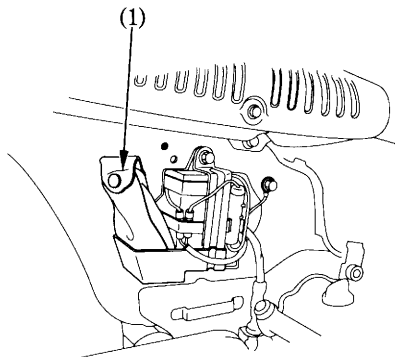


TOOL KIT (UB,NZ type)

The tool kit (1) is behind the right side cover.

Some roadside repairs, minor adjustments and parts replacement can be performed with the tools contained in the kit.

- 10 × 12 mm open end wrench
- 14 × 17 mm open end wrench
- Plier
- Standard/Phillips screwdriver
- Spark plug wrench
- Screwdriver grip
- Handle lever
- Tool bag



(1) Tool kit