

IDLE SPEED

(Refer to the maintenance precautions on page 45).

The engine must be at normal operating temperature for accurate idle speed adjustment. Ten minutes of stop-and-go riding is sufficient.

NOTE:

* Do not attempt to compensate for faults in other systems by adjusting idle speed. See your Honda dealer for regularly scheduled carburetor adjustments.

1. (UY type)

Warm up the engine, shift to neutral and place the motorcycle on its center stand.

(UB, NZ type)

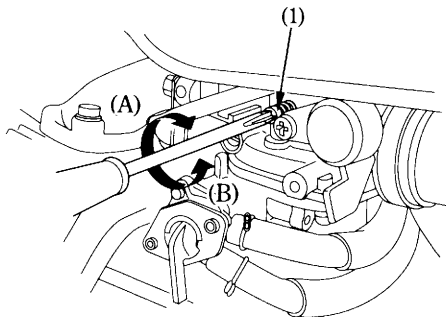
Warm up the engine, shift to neutral and place the motorcycle on its side stand.

2. Connect a tachometer to the engine.

3. Adjust idle speed with the throttle stop screw (1).

Idle Speed (in neutral):

$1,500 \pm 100 \text{ min}^{-1} \text{ (rpm)}$



(1) Throttle stop screw

(A) Increase

(B) Decrease