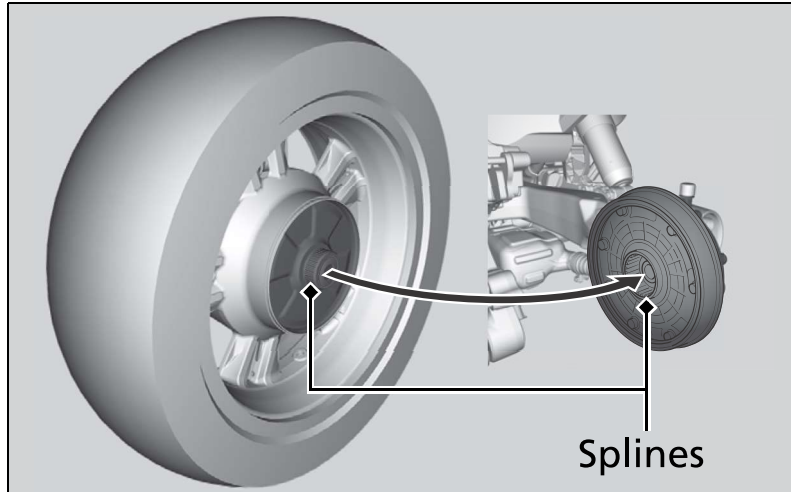


Installation

Before installing the rear wheel, check that the wheel hub and final drive gear splines are coated with molybdenum disulfide paste.



1. To install the rear wheel, reverse the removal procedure.
 - Take care to prevent the brake caliper from scratching the wheel during installation.
 - Be sure the splines on the wheel hub fit into the final drive gear case.
 - Use a new stopper bolt when installing the brake caliper.

NOTICE

When installing the brake caliper into position, carefully fit the brake disc between the pads to avoid scratching them.