

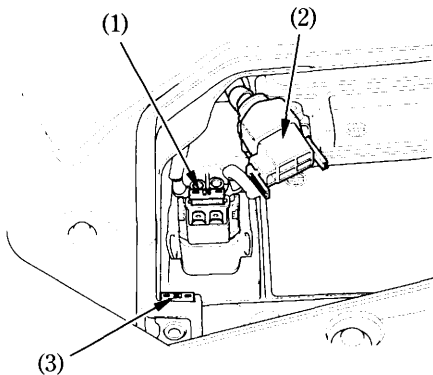
Main fuse:

The main fuse (1) is located in the battery box.

The specified fuse is:

30A

1. Lift the seat (page 40).
2. Remove the battery cover (page 83).
3. Disconnect the wire connector (2) of the starter magnetic switch.
4. Pull out the old fuse and install a new fuse. The spare fuse (3) is located in the battery box.
5. Reconnect the connector and install the battery cover.



(1) Main fuse

(2) Wire connector

(3) Spare fuse