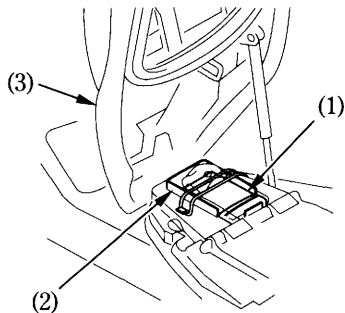


DOCUMENT BAG

The document bag (1) is in the document compartment (2) under the seat (3).

This owner's manual and other documents should be stored in the document bag. When washing your scooter, be careful not to flood this area with water.

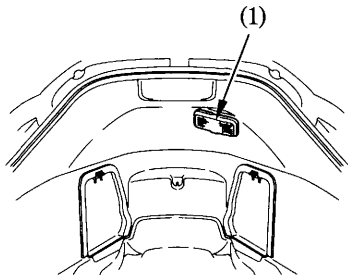


- (1) Document bag
- (2) Document compartment

(3) Seat

TRUNK LIGHT

The trunk light (1) will be turned ON automatically when the seat is opened. It is kept ON as long as the seat is opened regardless of the position of the ignition switch.



(1) Trunk light