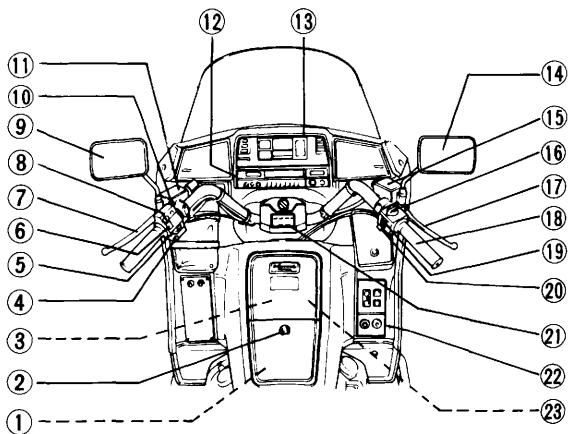


EQUIPMENT AND CONTROLS

Control Location



- (1) Fuel tank cap
- (2) Compartment lock
- (3) Fuse box and ACC terminal
- (4) Horn button
- (5) Turn signal switch
- (6) Headlight dimmer switch
- (7) Clutch lever
- (8) Auto search button
- (9) Left rear view mirror

- (10) Choke lever
- (11) Clutch fluid reservoir
- (12) Motorcycle radio/
cassette deck
- (13) Instrument panel
- (14) Right rear view mirror
- (15) Front brake fluid reservoir
- (16) Engine stop switch
- (17) Front brake lever

- (18) Throttle grip
- (19) Headlight switch
- (20) Starter button
- (21) Tripmeter/Tachometer/
Speedometer control
buttons
- (22) Suspension adjustment
buttons
- (23) Coolant reserve tank