





LEFT HANDLEBAR CONTROLS

The three controls next to the left handlebar grip are:

Headlight Dimmer Switch (1)

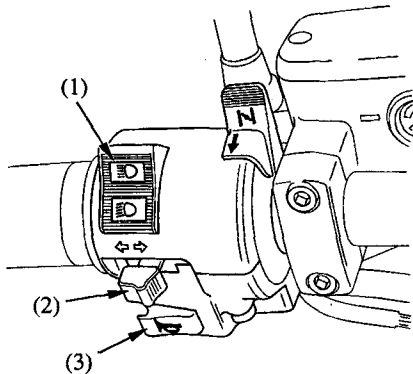
Select  (HI) for high beam,  (LO) for low beam.

Turn Signal Switch (2)

Move to  (L) to signal a left turn,  (R) to signal a right turn. Press to turn signal off.

Horn Button (3)

Press the button to sound the horn.



- (1) Headlight dimmer switch
- (2) Turn signal switch
- (3) Horn button