


ESSENTIAL INDIVIDUAL COMPONENTS

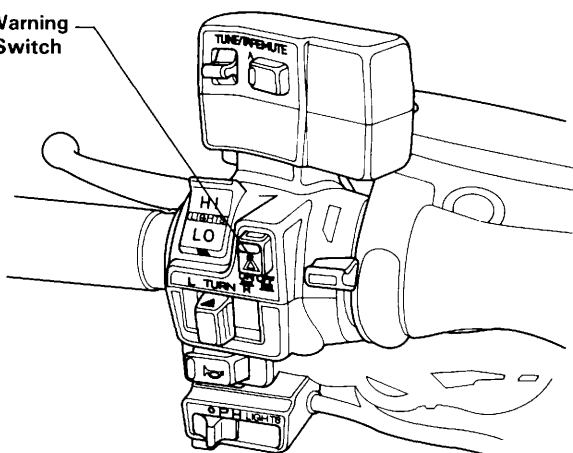
Hazard Warning System Switch

This system should be used only when your motorcycle is stopped under emergency or hazardous conditions. To turn it on, turn the ignition key to the ON, ACC, or the P position, and then push the switch marked . The front and rear turn signals will blink simultaneously.

CAUTION:

- ***Be sure to turn the switch off when the hazard warning is no longer required, or the turn signals will not work properly, and may confuse other drivers.***

Hazard Warning
System Switch



(SE)