

## Cassette Deck

### Loading:

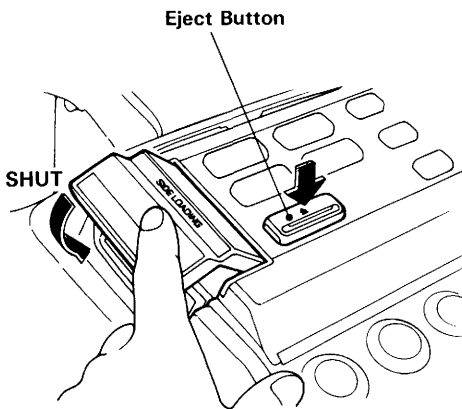
Push the eject button to open the cassette lid and slide the tape into the deck, following the inserting direction shown on the lid. Close the cassette lid.

### CAUTION:

- **Check there is no slack in the tape before inserting the cassette tape into the deck.**
- **Do not open the cassette lid in the rain. Before opening the cassette lid, wipe off any dirt or water on the outer surface.**
- **The use of 120-minute cassette tapes is not recommended. If it is necessary to use 120-minute tapes, do not switch the tape operation mode frequently. Most 120-minute tape stretches easily and can become tangled in the player mechanism.**

### NOTE:

- If a cassette with damaged tape is loaded into the deck, the deck will try to rewind the tape for several seconds, then come to a complete stop. The indicator " [ ] " will be visible in the display. Remove the cassette from the deck by pushing the eject button.



Inserting Direction

