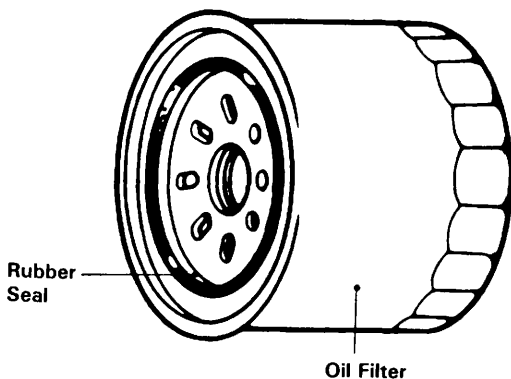


## MAINTENANCE

---

3. Apply a thin coat of engine oil to the rubber seal of a new oil filter. Use the Honda oil filter or an equivalent filter specified for your model. Other filters not specified for your model may not filter impurities properly.



4. Using a special tool and a torque wrench, install the new oil filter and tighten to a torque of:  
10 N·m (1.0 kg-m, 7 ft-lb)  
Use only the Honda genuine oil filter or a filter of equivalent quality specified for your model. Using the wrong Honda filter or a non-Honda filter which is not of equivalent quality may cause engine damage.