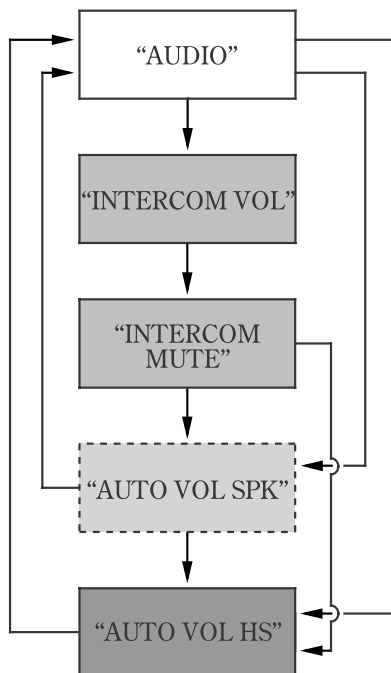




FEATURES (Not required for operation)

VOLUME Knob/Button Function



- Push the VOLUME Knob/Button
- When INT. COM is ON
- When the headset is used
- When the speaker is used

