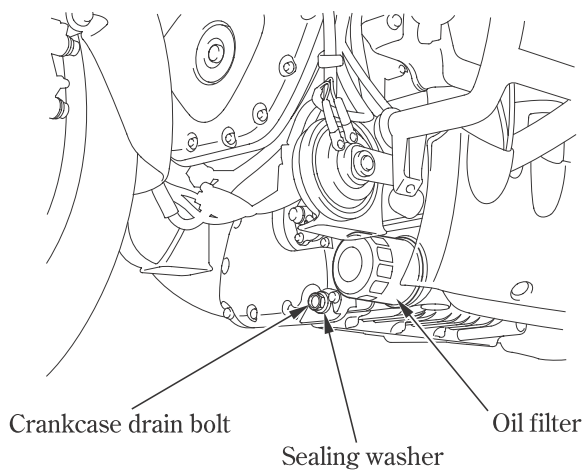




## MAINTENANCE

---

1. Park your motorcycle on a firm, level surface.
2. If the engine is cold, start it and let it idle for 3–5 minutes. Turn the engine off. Wait 2–3 minutes for the oil to settle.
3. Remove the right engine side cover (page 139 ).
4. Remove the front lower cover (page 141 ).
5. To drain the oil, remove the oil fill cap/dipstick, crankcase drain bolt, and sealing washer.
6. Remove the oil filter with a filter wrench and let the remaining oil drain out. Discard the oil filter.



7. Apply a thin coat of engine oil to the new oil filter rubber seal.

