

Electrical Trouble ► Blown Fuse

Blown Fuse

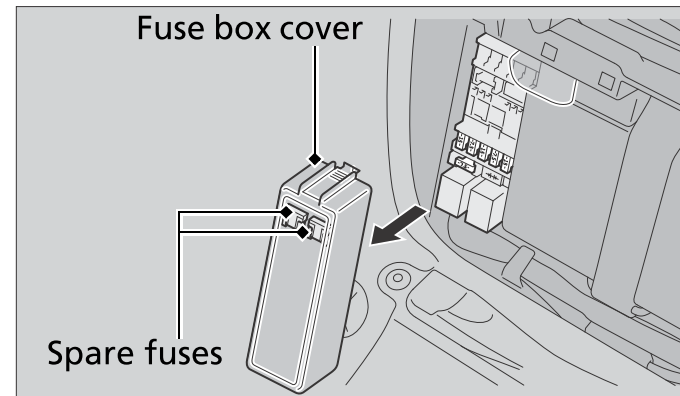
Before handling fuses, see “Inspecting and Replacing Fuses.” ▣ P. 56

▣ Fuse Box Fuses

1. Open the luggage box. ▣ P. 44
2. Remove the maintenance lid. ▣ P. 65
3. Remove the fuse box cover.
4. Pull the fuses out with the fuse puller in the tool kit one by one check for a blown fuse. Always replace a blown fuse with a spare of the same rating.
► Spare fuses are provided back side of the fuse box cover.
5. Reinstall the fuse box cover.
6. Install the maintenance lid.
7. Close the luggage box.

Troubleshooting

(NC700S)



(NC700SA/SD)

