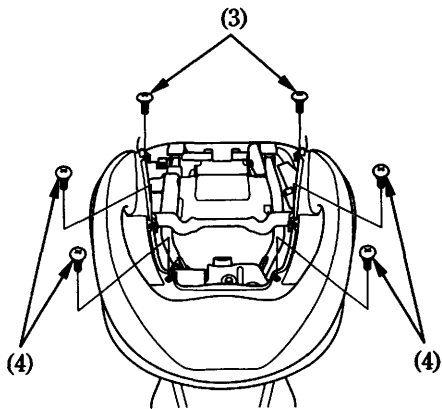


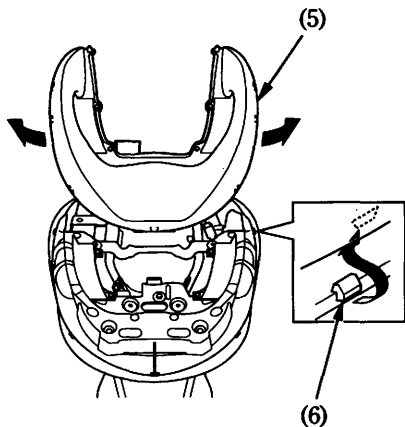
3. Remove the screws A (3) and screws B (4).



(3) Screws A

(4) Screws B

4. To remove the grab rail cover (5), pull it outwards and remove the tabs (6) starting from the front.



(5) Grab rail cover

(6) Tab