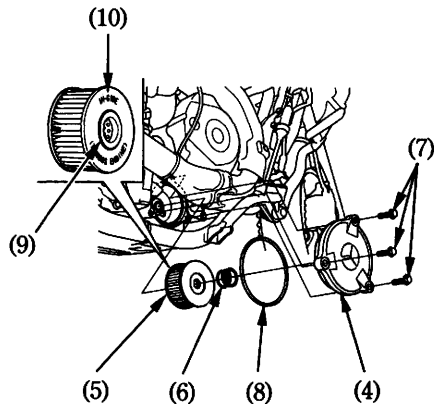


7. Remove the oil filter cover (4), HFT oil filter (5) and spring (6) by removing the oil filter bolts (7).



- (4) Oil filter cover
(5) HFT oil filter
(6) Spring
(7) Oil filter bolts
(8) O-ring
(9) Rubber seal
(10) IN-SIDE mark

8. Check that the oil filter cover O-ring (8) is in good condition and then install the spring and new oil filter. Use the Honda oil filter or an equivalent filter specified for your model. Other filters not specified for your model may not filter impurities properly.
9. Install the filter with the rubber seal (9) facing in, toward the engine. You will see "IN-SIDE" mark (10) on the filter body, near the seal.
10. Reinstall the oil filter cover, making sure the bolts are tightened securely.
Oil filter bolt torque:
10 N·m (1.0 kgf·m , 7 lbf·ft)

Use only the Honda genuine HFT oil filter or a filter of equivalent quality specified for your model. Using the wrong Honda filter or a non-Honda filter which is not of equivalent quality may cause transmission damage.