

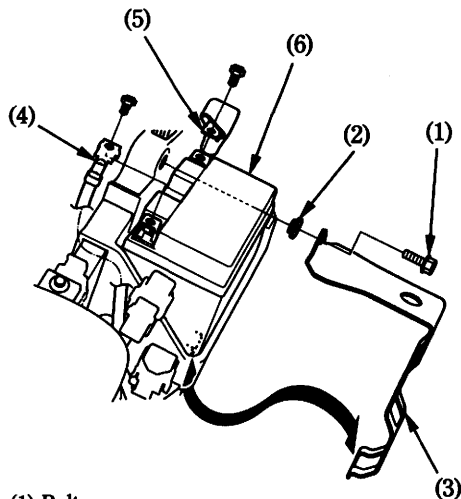
The battery is located in the battery box behind the left rear cowl.

Removal:

1. Make sure the ignition switch is OFF.
2. Remove the left rear cowl (page 77).
3. Remove the bolt (1), collar (2) and battery holder (3).
4. Disconnect the negative (-) terminal lead (4) from the battery first, then disconnect the positive (+) terminal lead (5).
5. Pull out the battery (6) from the battery box.

Installation:

1. Reinstall in the reverse order of removal. Be sure to connect the positive (+) terminal first, then the negative (-) terminal.
2. Check all bolts and other fasteners are secure.



- (1) Bolt
- (2) Collar
- (3) Battery holder
- (4) Negative (-) terminal lead
- (5) Positive (+) terminal lead
- (6) Battery