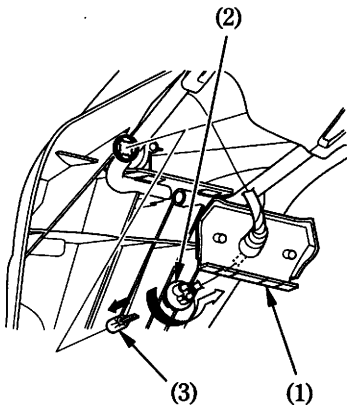


License Light Bulb

1. Pull back the rubber dust cover (1).
2. Turn the socket (2) counterclockwise, then pull it out.
3. Pull out the bulb (3) without turning.



- (1) Rubber dust cover
- (2) Socket
- (3) Bulb