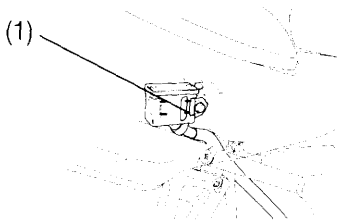
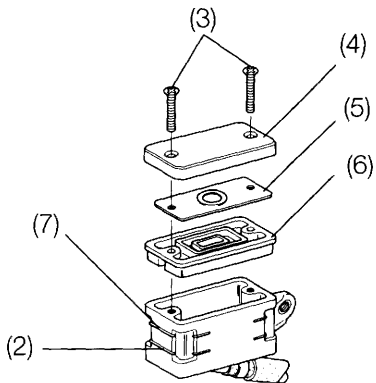


Check the brake fluid level from the inspection window (1) of the right side cover with the motorcycle in an upright position.

Brake fluid must be added to the reservoir whenever the fluid level begins to reach the LOWER level mark (2). Remove the right side cover (page 39). Remove the screws (3), reservoir cover (4), diaphragm plate (5) and diaphragm (6). Fill the reservoir with DOT 3 or 4 BRAKE FLUID from a sealed container up to the UPPER level mark (7). Reinstall the diaphragm, diaphragm plate and cap securely.



(1) Inspection window



- (2) LOWER level mark      (5) Diaphragm plate  
(3) Screws                      (6) Diaphragm  
(4) Reservoir cover        (7) UPPER level mark

#### Other Checks :

Make sure there are no fluid leaks. Check for deterioration or cracks in the hoses and fittings.