

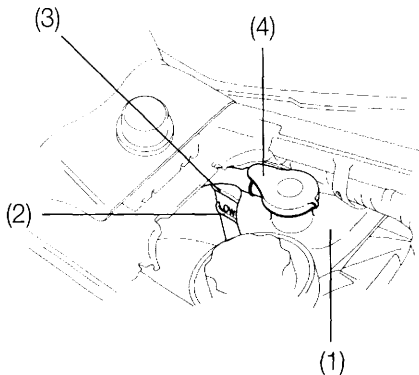
## Inspection

The reserve tank is under the front seat. Check the coolant level in the reserve tank (1) while the engine is at the normal operating temperature with the motorcycle in an upright position. If the coolant level is below the LOW level mark (2), remove the reserve tank cap (3). Add coolant mixture until it reaches the UPPER level mark (4). Do not remove the radiator cap.

### **⚠ WARNING**

- **Do not remove the radiator cap when the engine is hot. The coolant is under pressure and could scald you.**

If the reserve tank is empty, or if coolant loss is excessive, check for leaks and see your authorized Honda dealer for repair.



- (1) Reserve tank                      (3) UPPER level mark  
(2) LOWER level mark              (4) Reserve tank cap