

SPARK PLUG

Refer to the Safety Precautions on page 131.

Recommended plugs:

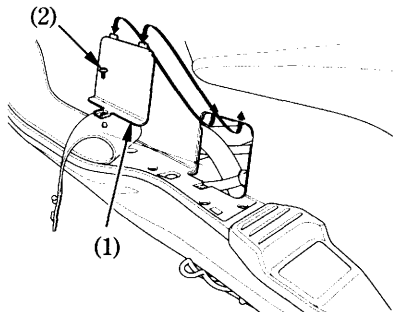
DPR7EA-9 (NGK) or

X22EPR-U9 (DENSO)

NOTICE

Never use a spark plug with an improper heat range. Severe engine damage could result.

1. Remove the plug maintenance lid (1) by removing the screw (2).



- (1) Plug maintenance lid
- (2) Screw