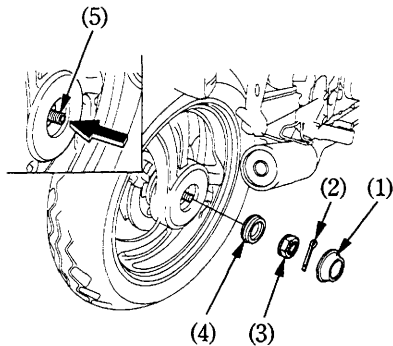


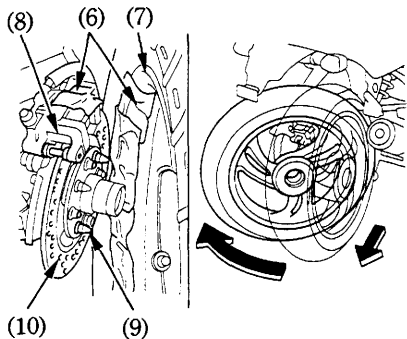
Rear Wheel Removal

1. Raise the rear wheel off the ground by placing a support block under the engine.
2. Remove the cap (1), cotter pin (2), axle nut (3), and then remove the axle center collar (4).
3. Push the axle (5) into the wheel hub.



- | | |
|----------------|------------------------|
| (1) Cap | (4) Axle center collar |
| (2) Cotter pin | (5) Axle |
| (3) Axle nut | |

4. Attach the tapes (6) to the wheel rim (7) and brake caliper (8) to avoid damaging the wheel.
5. Remove the wheel from the drive pins (9) and pull it backward to get between the brake disc (10) and muffler.
6. Swing the wheel to the left and pull it out backward as shown.



- | | |
|-------------------|-----------------|
| (6) Tapes | (9) Drive pins |
| (7) Wheel rim | (10) Brake disc |
| (8) Brake caliper | |