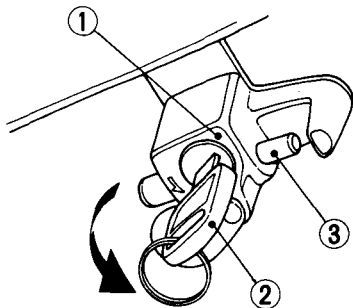


## HELMET HOLDER

The helmet holder (1) is on the left side below the seat. Insert the ignition key (2) and turn it counterclockwise to unlock the holder. Hang your helmet on the holder pin (3) and push in the holder pin. Then remove the key.

### **▲ WARNING**

\* **The helmet holder is designed for helmet security while parked. Do not ride with a helmet attached to the holder; the helmet may interfere with safe operation and result in loss of control.**



(1) Helmet holder  
(2) Ignition key

(3) Holder pin