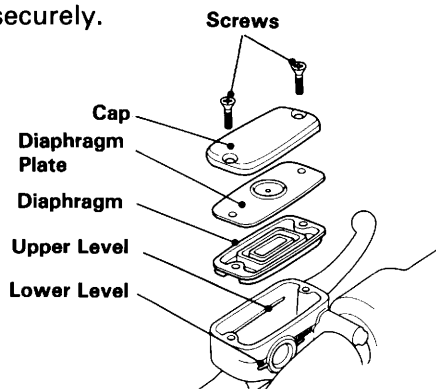

Front Brake

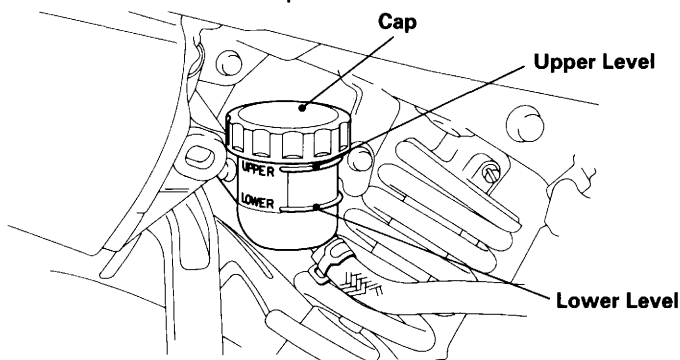
The front brake motor cylinder is located on the right handlebar. Fill the reservoir with DOT 4 BRAKE FLUID from a sealed container up to the upper level mark.

Reinstall the removed parts in the reverse order of removal. Tighten the screws securely.



Rear Brake

1. Remove the right saddlebag (page 42) and right side cover (page 71).
2. Remove the cap.
3. Fill the reservoir with DOT 4 BRAKE FLUID from a sealed container up to the upper level mark.
4. Reinstall the removed the cap.



Other Checks:

Make sure there are no fluid leaks. Check for deterioration or cracks in the hoses and fittings.