

- (8) Headlight
- (9) Fuel fill cap
- (10) Storage box, containing:
  - Tool kit
  - Owner's manual
- (11) Operator footpeg
- (12) Rear brake pedal

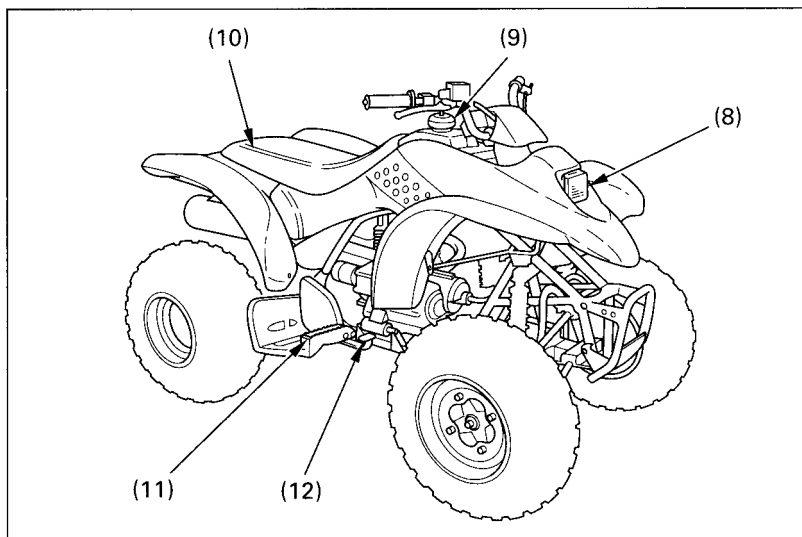


Fig. 2-2

Right side of Sportrax