

## AIR CLEANER

### Air Cleaner Filter

The air cleaner accumulates dust and must be cleaned periodically. If the Sportrax is ridden in dusty areas, the air cleaner must be cleaned at more frequent intervals than specified in the Maintenance Schedule.

If the Sportrax is submerged in water, the air cleaner should be checked and water should be drained from the air cleaner housing before starting the engine.

#### To clean the air cleaner:

1. Remove the seat by pulling up the seat lock lever (1) (Fig. 4-4).
2. Uncover the rubber sheet (2) from the retainer clips (3).
3. Unlatch the four retainer clips (3) and remove the air cleaner housing cover (4).

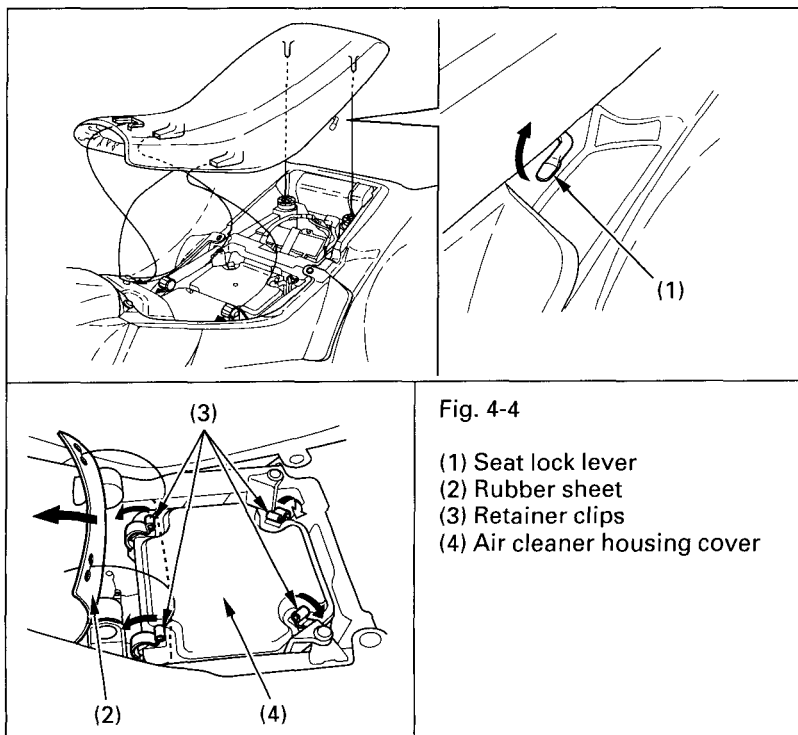


Fig. 4-4

- (1) Seat lock lever
- (2) Rubber sheet
- (3) Retainer clips
- (4) Air cleaner housing cover