

## Battery Removal

1. Make sure the ignition switch is OFF (  $\circ$  ).
2. Remove the seat (page 120).
3. Remove the battery holder (1), (Fig. 4-17) by removing the mount bolts (2).
4. Disconnect the negative (  $-$  ) terminal lead (3) from the battery (4) first, then disconnect the positive (  $+$  ) terminal lead (5).
5. Remove the battery.
  - \* Install in the reverse order of removal.
  - \* Check all bolts and other fasteners are secure.
  - \* After installing the battery, check to see if the battery cables are routed correctly.

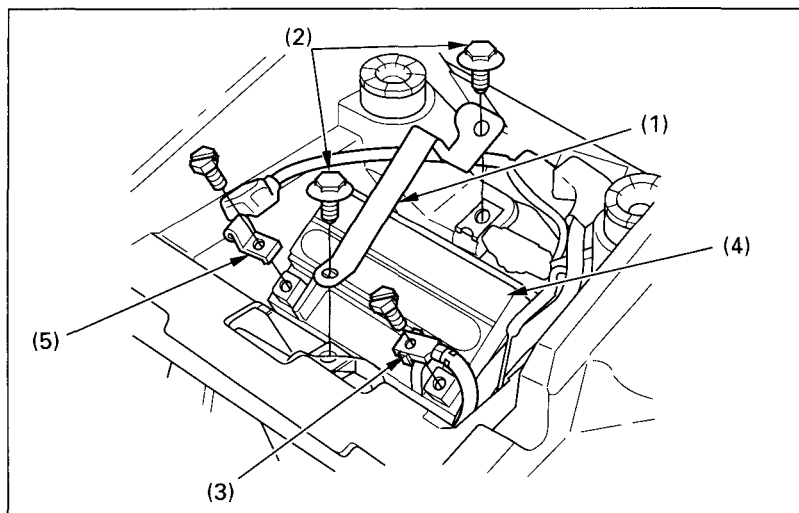


Fig. 4-17

(1) Battery holder  
(2) Mount bolt

(3) Negative (  $-$  ) terminal lead  
(4) Battery  
(5) Positive (  $+$  ) terminal lead