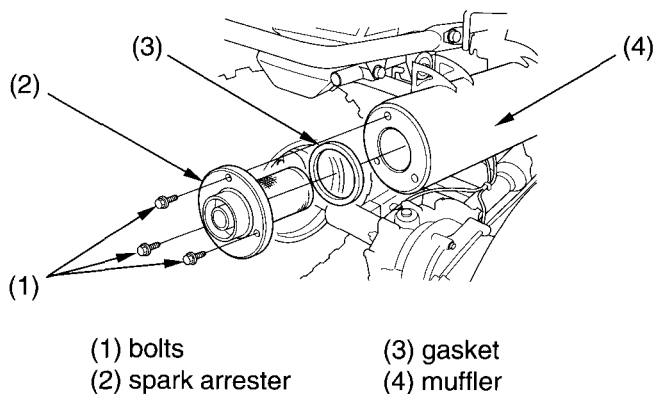


Spark Arrester

Refer to *Safety Precautions* on page 75.

The exhaust system must be periodically purged of accumulated carbon. To purge the system:

REAR



1. Select a well-ventilated area free of combustible materials and make sure the exhaust pipe is cool.
2. Remove the bolts (1), the spark arrester (2), and the gasket (3) from the muffler (4).