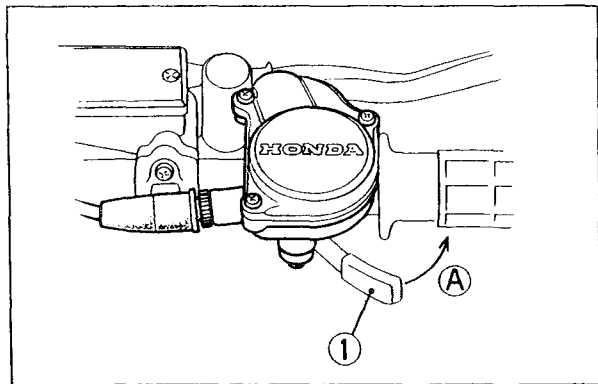


## Throttle Lever

The throttle lever (1) is next to the right handlebar grip and is operated by the rider's thumb. Pressing the lever forward opens the throttle. When the lever is released, spring tension closes the throttle automatically.



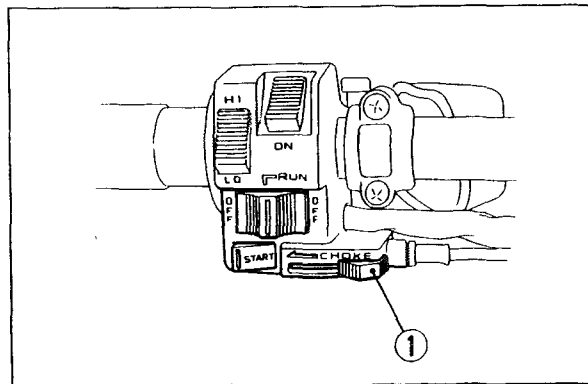
(1) Throttle lever

(A) Open

## Choke Lever

The choke lever (1) is next to the left handlebar grip. Move the choke lever while pushing it to the left for starting the engine when cold. Move the lever while pushing it to the right as the engine attains normal operating temperature.

To restart a warm engine, it is not necessary to use the choke.



(1) Choke lever