

## LIGHTS

### Headlight and Dimmer Switches

The headlight and dimmer switches (Fig. 2-13) are above the engine stop switch, next to the left handgrip.

Turning the headlight switch (1) ☼ (ON) turns the headlight on. Use the dimmer switch (2) to select either high beam ≡D (HI) or low beam ≡D (LO).

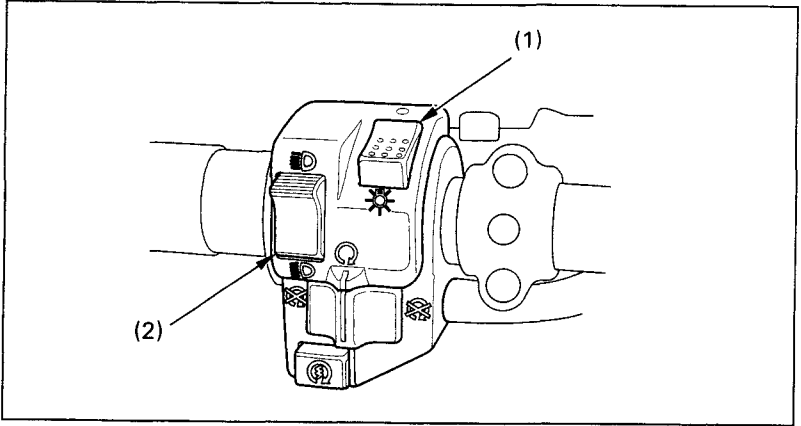


Fig. 2-13 (1) Headlight switch

(2) Dimmer switch