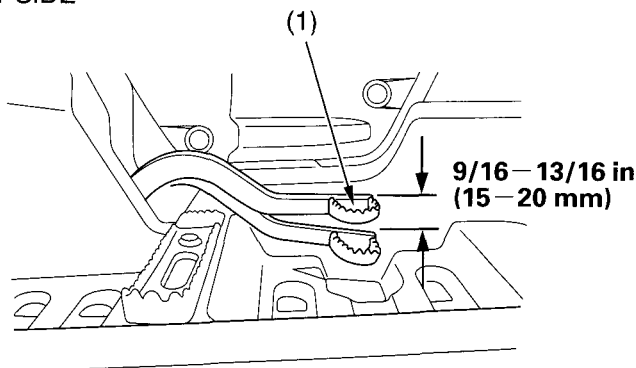


Rear Brake Pedal Freeplay

RIGHT SIDE



(1) rear brake pedal

Inspection

Measure the distance the rear brake pedal (1) moves before the brake starts to take hold. Freeplay, measurement at the tip of the end of the pedal, should be:

9/16–13/16 in (15–20 mm)

If necessary, adjust to the specified range.