

## SEAT REMOVAL

To remove the seat (Fig. 4-33), pull up the seat lock lever (1) at the left side of the seat lift it up.

To install the seat, align the tabs on the seat with the grommets on the frame and press the seat down until it locks.

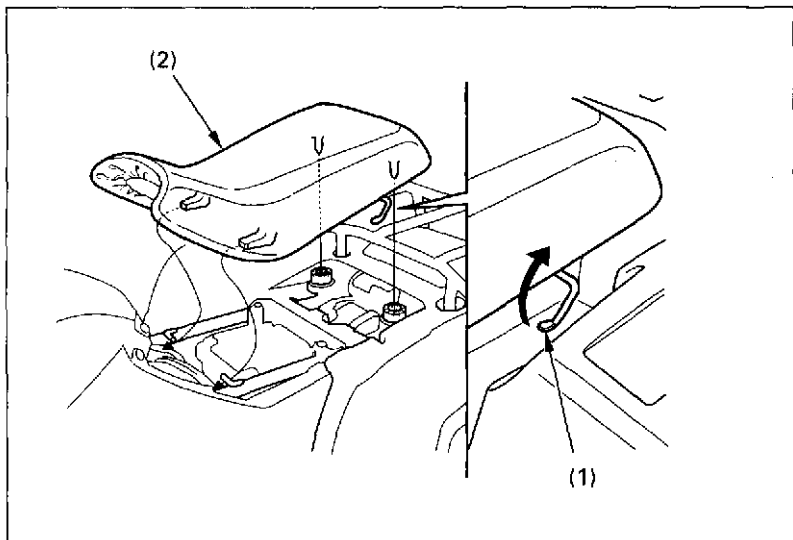


Fig. 4-33 (1) Seat lock lever

(2) Seat