

High Air Temperature

35 °C (95 °F) or above

1. Do not use the choke.
2. Start the engine (follow step 2 under Normal Air Temperature).

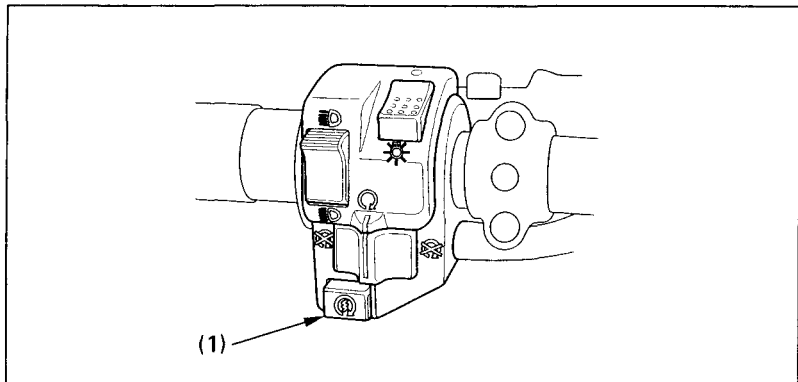


Fig. 3-10

(1) Starter button

Low Air Temperature

10 °C (50 °F) or below

1. Follow step 1 – 2 under "Normal Air Temperature".
2. Warm up the engine by opening and closing the throttle slightly.
3. Continue warming up the engine until it runs smoothly and responds to the throttle when the choke knob is at Fully OFF (B).

CAUTION:

- * **Extended use of the choke may impair piston and cylinder wall lubrication and shorten the life of the engine.**
- * **Do not race the engine during the warm-up period.**
Racing a cold engine wastes fuel and increases engine wear.

If the engine doesn't start after pushing the starter button several times, use the recoil starter.