

- (24) Fuel valve
- (25) Owner's Manual storage
- (26) Storage compartment, containing:
  - Tool kit
  - Air pressure gauge
- (27) Oil filler cap/dipstick
- (28) Gearshift pedal
- (29) Operator footpeg
- (30) Trailer hitch

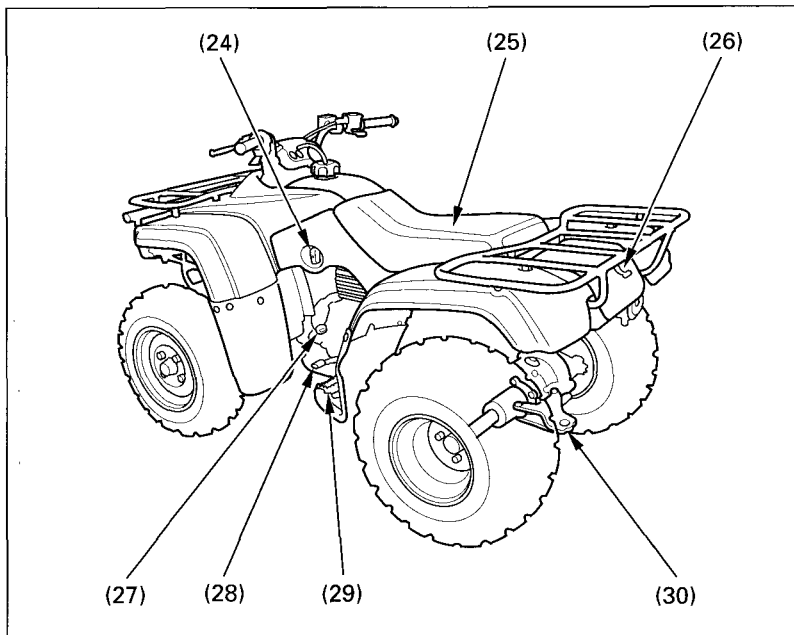


Fig. 2-4

Left side of FOURTRAX