

TOOL KIT

A tool kit (Fig. 4-1) is provided with your FOURTRAX and stored in the storage compartment below the rear fender.

The tools in the kit are sufficient to perform routine maintenance and simple repairs. Any extensive work requiring additional tools should be performed by your authorized Honda dealer.

The tool kit includes the following items:

- * Standard/Phillips screwdriver
- * Spark plug wrench
- * Screwdriver handle
- * Air pressure gauge
- * 6 mm hex wrench
- * Tool bag

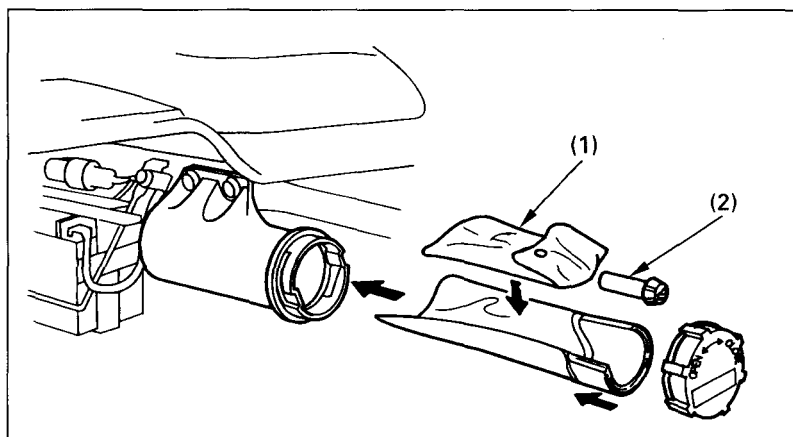


Fig. 4-1 (1) Tool kit

(2) Air pressure gauge