

Rear Brake Fluid Level:

Check if the fluid level is below the lower level mark (1).

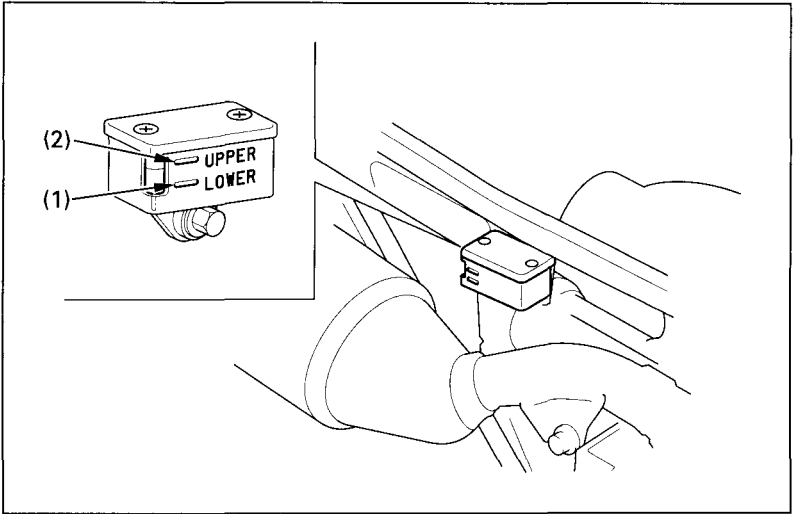


Fig. 4-23 (1) Lower level mark

(2) Upper level mark