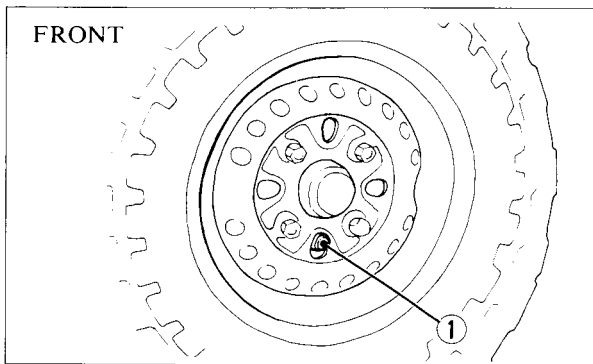


After riding through water, the brakes could be less effective than normal. Test the front and rear brakes after traveling through any water, and if necessary, apply the brakes repeatedly until the heat of friction has dried them, and the brakes regain their normal effectiveness.

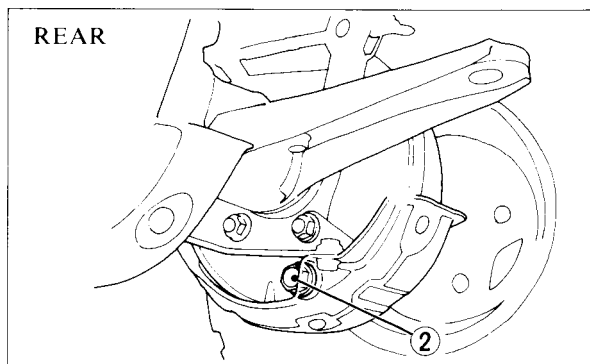
If they do not dry out and regain their effectiveness, stop the FOURTRAX and shut the engine OFF. Position a front wheel so its inspection hole plug (1) is at the bottom. Set the parking brake ON and drain any trapped water by removing the inspection hole plug (1) or drain bolt (2) from the bottom of the brake cover.

CAUTION:

- * *If any water drains, it is an indication that the brake seals must be replaced. Have these seals checked by your authorized Honda dealer as soon as possible.*



(1) Inspection hole plug



(2) Drain bolt