

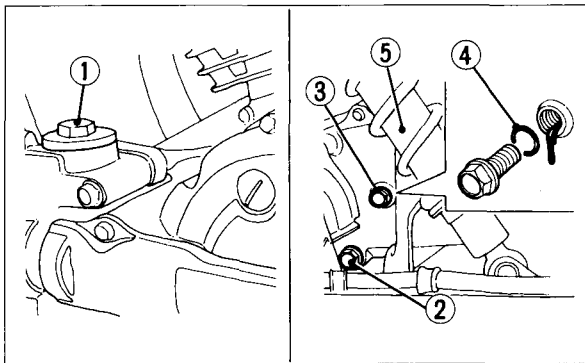
## ENGINE FRONT GEAR CASE

Change the engine front gear case oil when specified by the MAINTENANCE SCHEDULE on page 47.

### NOTE:

\* Change the oil with the gear case warm, and the **BIG RED** on level ground to assure complete and rapid draining.

1. To drain the oil, remove the oil filler cap (1) and drain plug (2).



(1) Oil filler cap

(2) Oil drain plug

(3) Oil level check bolt

(4) O-ring

(5) Left front cushion

2. After the oil has completely drained, install the drain plug.

Drain Plug Torque:

12 N·m (1.2kg-m, 9 ft-lb)

3. Fill the gear case with the recommended oil.

Recommended oil: SAE 10W-40

Engine front gear case oil: 190 cc (6.4 US oz)

Remove the oil level check bolt (3) and check that the gear case is filled up to the lower edge of the inspection hole with oil.

4. Check that the O-ring (4) is in good condition and install the oil level check bolt.

5. Install the oil filler cap.