

2. Open the fuse holder (Fig. 4-20) and lift out the fuse with the clips (2).
3. Slide the old fuse out of the clips and discard it.
4. Slide the clips onto the ends of the new fuse, push them back into the fuse holder, and close the fuse holder.

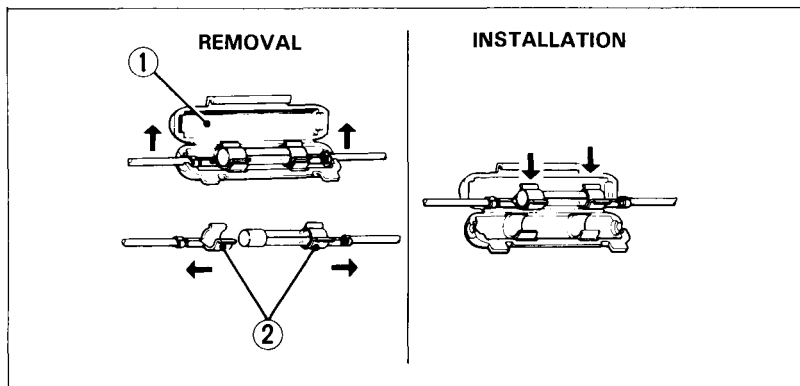


Fig. 4-20

- (1) Fuse holder
- (2) Clips

## ▲ WARNING

### POTENTIAL HAZARD

Improperly replacing a fuse.

### WHAT CAN HAPPEN

Serious damage to the electrical system, which could cause a fire or a loss of lights or engine power, which could lead to an accident.

### HOW TO AVOID THE HAZARD

Never use a fuse with a different rating from that specified in this Owner's Manual.

Do not pry the clips open to get a fuse out, as a loose fuse could cause damage to the electrical system or start a fire.